

PressureWave™ SERIES



FEATURES

- Single diaphragm design
- NSF Standard 61, CE/PED, WRAS, ACS, ISO:9001, Gost, Evrazes approved
- Patented stainless steel water connection
- Virgin polypropylene liner
- Two part polyurethane, epoxy primed paint finish
- Leak free, o-ring sealed air valve cap
- Comprehensive testing
- No maintenance

PressureWave™ tanks are ideally suited for a wide range of applications, including booster systems, thermal expansion, irrigation systems, and hydraulic hammer arresting.

The PressureWave™ Series is constructed of a virgin polypropylene liner combined with an FDA approved high grade butyl diaphragm. This is held against the wall of the tank with a steel clench ring. The brass air valve, sealed by a threaded o-ring valve cap, prevents air leaks. Water enters the tank through a patented stainless steel water connection. The diaphragm and liner are both reinforced in specific wear areas for longer life. All internal parts including the air valve are rounded to prevent piercing of the diaphragm in extreme conditions. The water connection uniquely provides a dual water/air seal ensuring a complete leak free and maintenance free pressure vessel.

On the exterior the almond colored two-part polyurethane paint finish over an epoxy undercoating provides hundreds of hours of UV and salt spray protection.

PressureWave™ tanks are quality tested at several stages on the production line to insure the structural integrity of every tank.

PressureWave™ tanks represent the best value for the investment and are the best quality pressure vessels available today.

SPECIFICATIONS

PressureWave™ Series Models

BSP		NPT		Nominal Volume		Shipping (box) Volume		Shipping (box) Weight		Dimensions					
Old Part Number	New Part Number	Old Part Number	New Part Number	liter	gal	m ³	ft ³	kg	lbs	A		B		C	
										cm	inches	cm	inches	cm	inches
PWB2	PWB-2LX*	PWN2	PWN-2LX*	2	0.5	0.06	2.12	13.60	29.98	20.90	8.23	12.60	4.96		
PWB4	PWB-4LX	PWN4	PWN-4LX	4	1.1	0.01	0.35	1.71	3.77	26.10	10.28	16.20	6.38		
PWB8	PWB-8LX	PWN8	PWN-8LX	8	2.1	0.014	0.49	2.40	5.29	31.30	33.60	20.20	7.95		
PWB12	PWB-12LX	PWN12	PWN-12LX	12	3.2	0.023	0.81	3.10	6.83	36.70	14.45	23.00	9.06		
PWB18	PWB-18LX	PWN18	PWN-18LX	18	4.8	0.03	1.06	4.10	9.04	36.70	14.45	27.90	10.98		
PWB24	PWB-24LX	PWN24	PWN-24LX	24	6.3	0.042	1.48	5.00	11.00	44.70	17.60	29.00	11.42		
PWB35	PWB-35LX	PWN35	PWN-35LX	35	9.3	0.056	1.98	7.00	15.43	48.10	18.90	31.80	12.52		

Horizontal Models

PWB8H	PWB-8LH	PWN8H	PWN-8LH	8	2.1	0.013	0.46	2.46	5.42	31.30	12.32	23.20	9.13	11.60	4.57
PWB12H	PWB-12LH	PWN12H	PWN-12LH	12	3.2	0.024	0.85	3.25	7.17	36.70	14.45	26.00	10.24	13.00	5.12
PWB20H	PWB-20LH	PWN20H	PWN-20LH	20	5.3	0.04	1.41	5.00	11.02	44.70	17.60	29.40	11.57	14.70	5.79
PWB24H	PWB-24LH	PWN24H	PWN-24LH	24	6.3	0.047	1.65	5.90	13.01	44.70	17.60	32.10	12.64	16.10	6.34
PWB35H	PWB-35LH	PWN35H	PWN-35LH	35	9.3	0.061	2.15	8.20	18.08	48.10	18.94	35.30	13.90	17.90	7.05
PWB60H	PWB-60LH	PWN60H	PWN-60LH	60	15.9	0.09	3.18	11.40	25.13	53.00	20.87	42.40	16.69	21.50	8.46
PWB80H	PWB-80LH	PWN80H	PWN-80LH	80	21.1	0.13	4.59	16.10	35.49	72.60	28.58	42.40	16.69	21.50	8.46
PWB100H	PWB-100LH	PWN100H	PWN-100LH	100	26.4	0.16	5.65	19.20	42.33	72.00	28.35	47.50	18.70	24.50	9.65

Vertical Models w/ base

PWB35V	PWB-35LV	PWN35V	PWN-35LV	35	9.3	0.063	2.22	7.80	17.20	55.50	21.85	31.80	12.52	12.00	4.72
PWB60V	PWB-60LV	PWN60V	PWN-60LV	60	15.9	0.098	3.46	11.80	26.01	62.00	24.41	38.90	15.31	12.70	5.00
PWB80V	PWB-80LV	PWN80V	PWN-80LV	80	21.1	0.13	4.59	16.20	35.71	81.50	32.09	38.90	15.31	12.70	5.00
PWB100V	PWB-100LV	PWN100V	PWN-100LV	100	26.4	0.16	5.65	19.10	42.11	80.40	31.65	43.00	16.93	12.90	5.08
PWB130V	PWB-130LV	PWN130V	PWN-130LV	130	34.3	0.21	7.42	26.70	58.86	107.40	42.28	43.00	16.93	12.90	5.08
PWB150V	PWB-150LV	PWN150V	PWN-150LV	150	40.0	0.28	9.89	31.4	69.23	92.40	36.38	53.00	20.87	13.85	5.45

Standard System Connection: 1"

All connections are stainless steel unless stated otherwise. Tank precharge: 1.9 bar / 28 psi

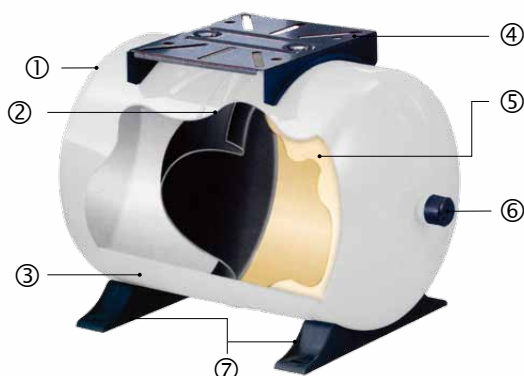
Maximum Working Pressure: 10 bar / 150 psi Maximum Working Temperature: 90°C / 194°F

Available in 16 and 25 bar as Max™ and UltraMax™ Series

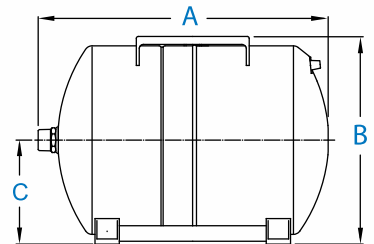
Available in smaller sizes as HydroGuard™ Series

* PWB-2LX and PWN-2LX: 12 pcs / box

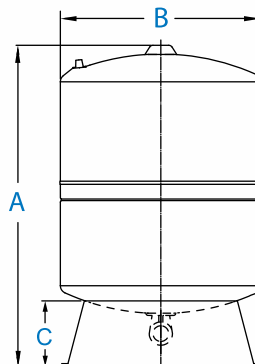
* Minor dimensional variation may occur



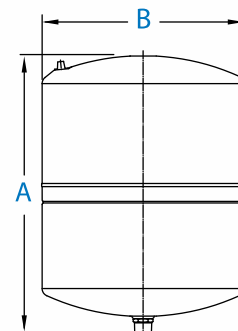
- ① Leak free, o-ring sealed air valve cap
- ② Single diaphragm design
- ③ Two part polyurethane, epoxy primed paint finish
- ④ Nylon Plastic Pump Stand
- ⑤ Virgin polypropylene liner
- ⑥ Patented stainless steel water connection
- ⑦ Plastic Tank Feet



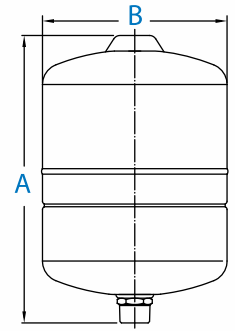
8LH - 100LH



35LV - 150LV



12LX, 18LX, 24LX



2LX, 8LX, 35LX

ISO:9001



ACS
Approved



PressureWave™