

# MC-I "DOUBLE-CHANNEL"

## Submersible pumps

► for sewage water



### PERFORMANCE RANGE

- Flow rate up to **800 l/min** (48 m<sup>3</sup>/h)
- Head up to **15 m**

### APPLICATION LIMITS

- **5 m** maximum immersion depth (with a sufficiently long power cable)
- Maximum liquid temperature **+40 °C**
- Passage of suspended solids up to **Ø 50 mm**
- **300 mm** minimum immersion depth for continuous service

### CONSTRUCTION AND SAFETY STANDARDS

- Complete with **5 m** long power cable
- Float switch for single-phase versions

EN 60335-1  
IEC 60335-1  
CEI 61-150

EN 60034-1  
IEC 60034-1  
CEI 2-3



### CERTIFICATIONS

COMPANY WITH MANAGEMENT SYSTEM  
CERTIFIED BY DNV  
ISO 9001: QUALITY  
ISO 14001: ENVIRONMENT AND SAFETY



### INSTALLATION AND USE

**MC-I** submersible pumps are suitable for draining **dirty water and sewage** in domestic and civil applications. They come equipped with a **DOUBLE-CHANNEL** impeller and are capable of pumping liquids containing short fibred suspended solids up to Ø 50 mm. They are ideal for pumping sewage water, waste water, surface water and water mixed with mud in locations such as holiday homes and detached homes.

These pumps distinguish themselves for their reliability, which can be best appreciated under automatic operating conditions in fixed installations.

### PATENTS - TRADE MARKS - MODELS

- Patent n° IT1390742, IT1390743

### OPTIONALS AVAILABLE ON REQUEST

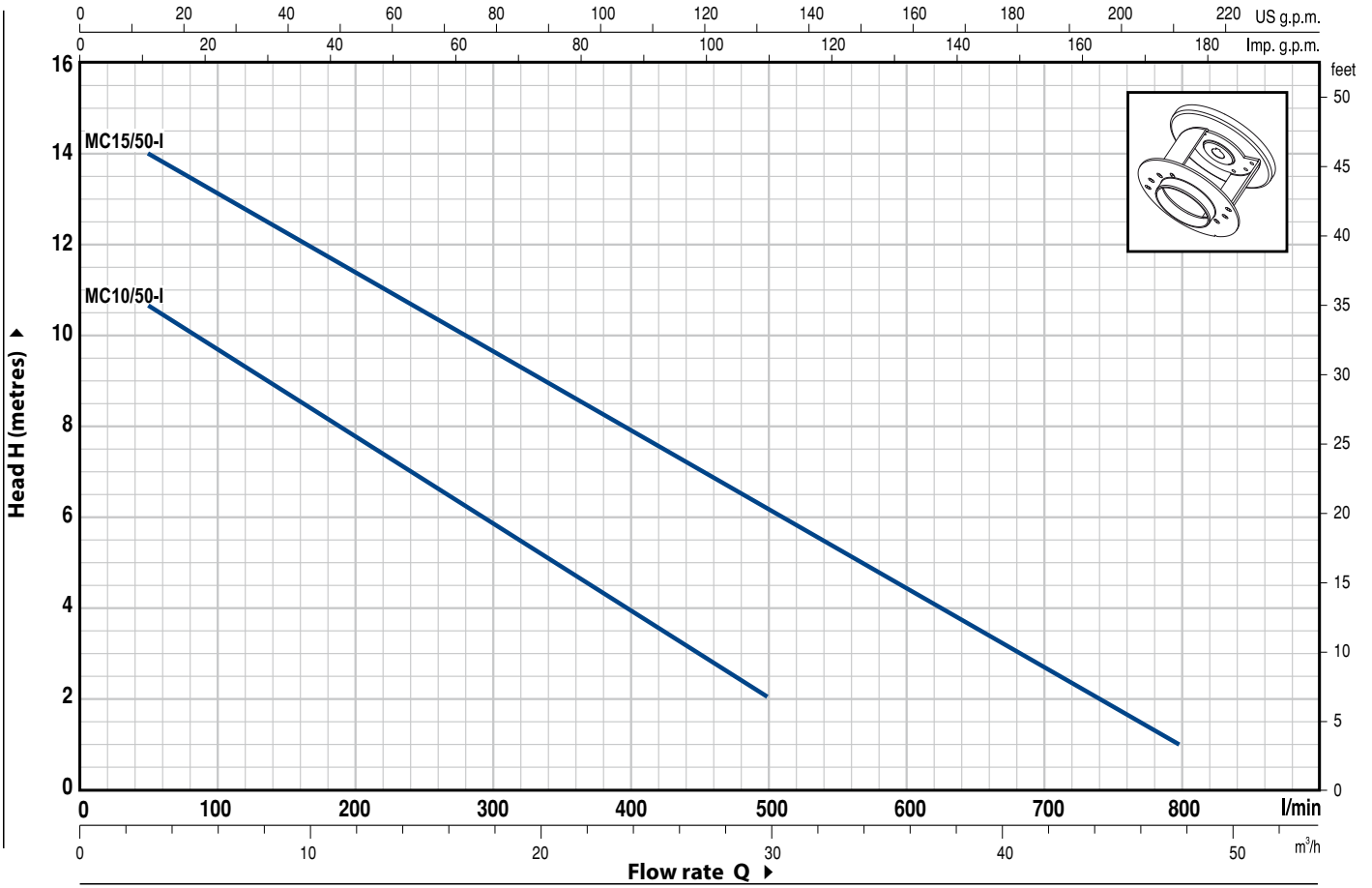
- Pumps with a **10 m** long power cable  
► N.B. Standard EN 60335-2-41 states that the power cable must be 10 m long for outdoor applications
- Single-phase pumps without float switch
- Other voltages or 60 Hz frequency

### GUARANTEE

2 years subject to terms and conditions

**CHARACTERISTIC CURVES AND PERFORMANCE DATA**

**50 Hz n= 2900 1/min**



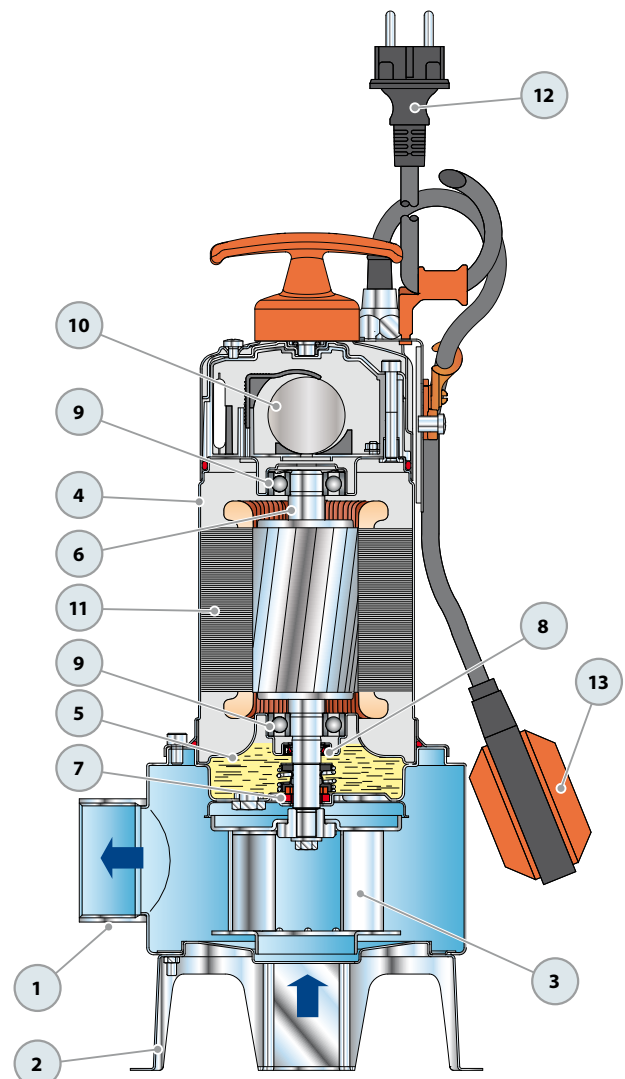
MODEL		POWER		Q	Flow rate															
Single-phase	Three-phase	kW	HP		m³/h	0	3	6	9	12	15	18	21	24	27	30	36	42	48	
MCm 10/50-I	MC 10/50-I	0.75	1	l/min	0	50	100	150	200	250	300	350	400	450	500	600	700	800		
-	MC 15/50-I	1.1	1.5	H metres	12	10.7	9.7	8.7	7.8	6.8	5.9	5	4	3	2					
					15	14	13	12.3	11.5	10.5	9.7	8.8	8	7	6.2	4.5	2.7	1		

Q = Flow rate H = Total manometric head

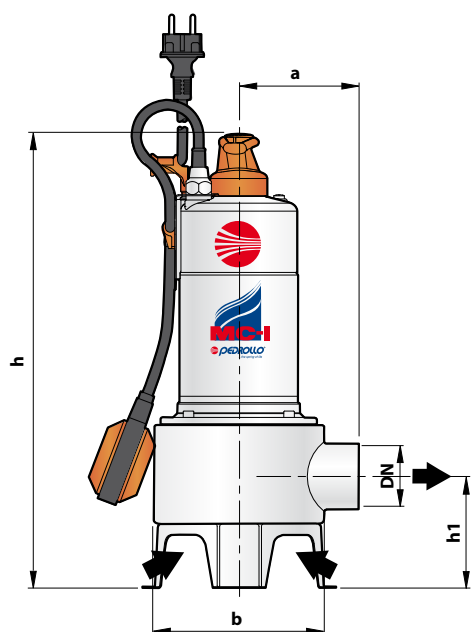
Tolerance of characteristic curves in compliance with EN ISO 9906 Grade 3.

# MC-I "DOUBLE-CHANNEL"

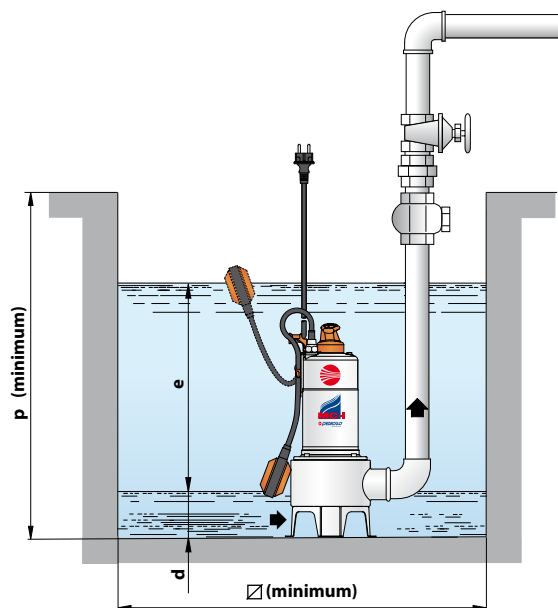
POS.	COMPONENT	CONSTRUCTION CHARACTERISTICS				
1	<b>PUMP BODY</b>	Stainless steel AISI 304, with threaded port in compliance with ISO 228/1				
2	<b>BASE</b>	Stainless steel AISI 304				
3	<b>IMPELLER</b>	Stainless steel AISI 304 DOUBLE-CHANNEL type				
4	<b>MOTOR CASING</b>	Stainless steel AISI 304				
5	<b>MOTOR CASING PLATE</b>	Stainless steel AISI 304				
6	<b>MOTOR SHAFT</b>	Stainless steel EN 10088-3 - 1.4104				
7	<b>SHAFT WITH DOUBLE SEAL AND OIL CHAMBER</b>					
	<i>Seal</i>	<i>Shaft</i>				
	<i>Model</i>	<i>Diameter</i>	<i>Stationary ring</i>	<i>Rotational ring</i>	<i>Materials</i>	<i>Elastomer</i>
	MG1-14 SIC	Ø 14 mm	Ceramic	Silicon carbide		NBR
8	<b>LIP SEAL</b>	Ø 15 x Ø 24 x H 5 mm				
9	<b>BEARINGS</b>	6203 ZZ / 6203 ZZ				
10	<b>CAPACITOR</b>					
	<i>Capacitance</i>					
	<i>(230 V or 240 V)</i>		<i>(110 V)</i>			
	20 µF 450 VL		30 µF 250 VL			
11	<b>ELECTRIC MOTOR</b>					
	<ul style="list-style-type: none"> <li>- Single-phase 230 V - 50 Hz with thermal overload protector built-in to the winding</li> <li>- Three-phase 400 V - 50 Hz</li> <li>- Insulation: F class</li> <li>- Protection: IP X8</li> </ul>					
12	<b>POWER CABLE</b>					
	5 metre long "H07 RN-F" cable (with Schuko plug on single-phase versions only)					
13	<b>FLOAT SWITCH</b> (only for single-phase versions)					



## DIMENSIONS AND WEIGHT



### Typical installation



MODEL		PORT DN	solids passage	DIMENSIONS mm								kg	
Single-phase	Three-phase			a	b	h	h1	d	e	p	□	1~	3~
MCm 10/50-I	MC 10/50-I	2"	Ø 50 mm	118	166	434	108	60	variable	500	500	10.9	9.5
-	MC 15/50-I											-	10.5

## ABSORPTION

MODEL	VOLTAGE (single-phase)		
	230 V	240 V	110 V
Single-phase	230 V	240 V	110 V
MCm 10/50-I	5.0 A	5.0 A	11.5 A

MODEL	VOLTAGE (three-phase)			
	230 V	400 V	240 V	415 V
Three-phase	230 V	400 V	240 V	415 V
MC 10/50-I	3.6 A	2.1 A	3.6 A	2.1 A
MC 15/50-I	6.1 A	3.5 A	6.1 A	3.5 A

## PALLETIZATION

MODEL		GROUPAGE				CONTAINER			
Single-phase	Three-phase	n° pumps	H (mm)	kg		n° pumps	H (mm)	kg	
				1~	3~			1~	3~
MCm 10/50-I	MC 10/50-I	60	1520	671	588	80	1980	889	778
-	MC 15/50-I	60	1520	-	645	80	1980	-	854

