

EN
NEW

VX



 **PEDROLLO**[®]
... the spring of life

NEW

Drainage pumps with cast iron pump body for using in domestic, civil and industrial applications.

PERFORMANCES

- ▶ **Head +15%** as compared to previous versions
- ▶ **Flow rate +30%** as compared to previous versions

TECHNICAL CHARACTERISTICS

- ▶ Cast iron pump body subjected to Epoxy Electrocoating Treatment. This treatment guarantees high resistance to oxidation.
- ▶ Stainless steel vortex type impeller.
- ▶ Stainless steel motor shaft.
- ▶ Precision cast stainless steel handle.
- ▶ Double mechanical seals.
- ▶ Float switch equipped with patented tilting system (patented).
- ▶ Supply cable equipped with anti-tear system (patented)

INSTALLATION AND USE

Suitable for use in domestic, civil and industrial applications where the water, such as **groundwater, surface water and sewage water**, contains suspended solids up to \varnothing 50 mm.

They are suitable for use in applications such as for draining flooded areas such as cellars, underground car parks, car washes, for emptying cesspools and for sewage disposal. These pumps distinguish themselves for their reliability, which can be best appreciated under automatic operating conditions in fixed installations

APPLICATION LIMITS

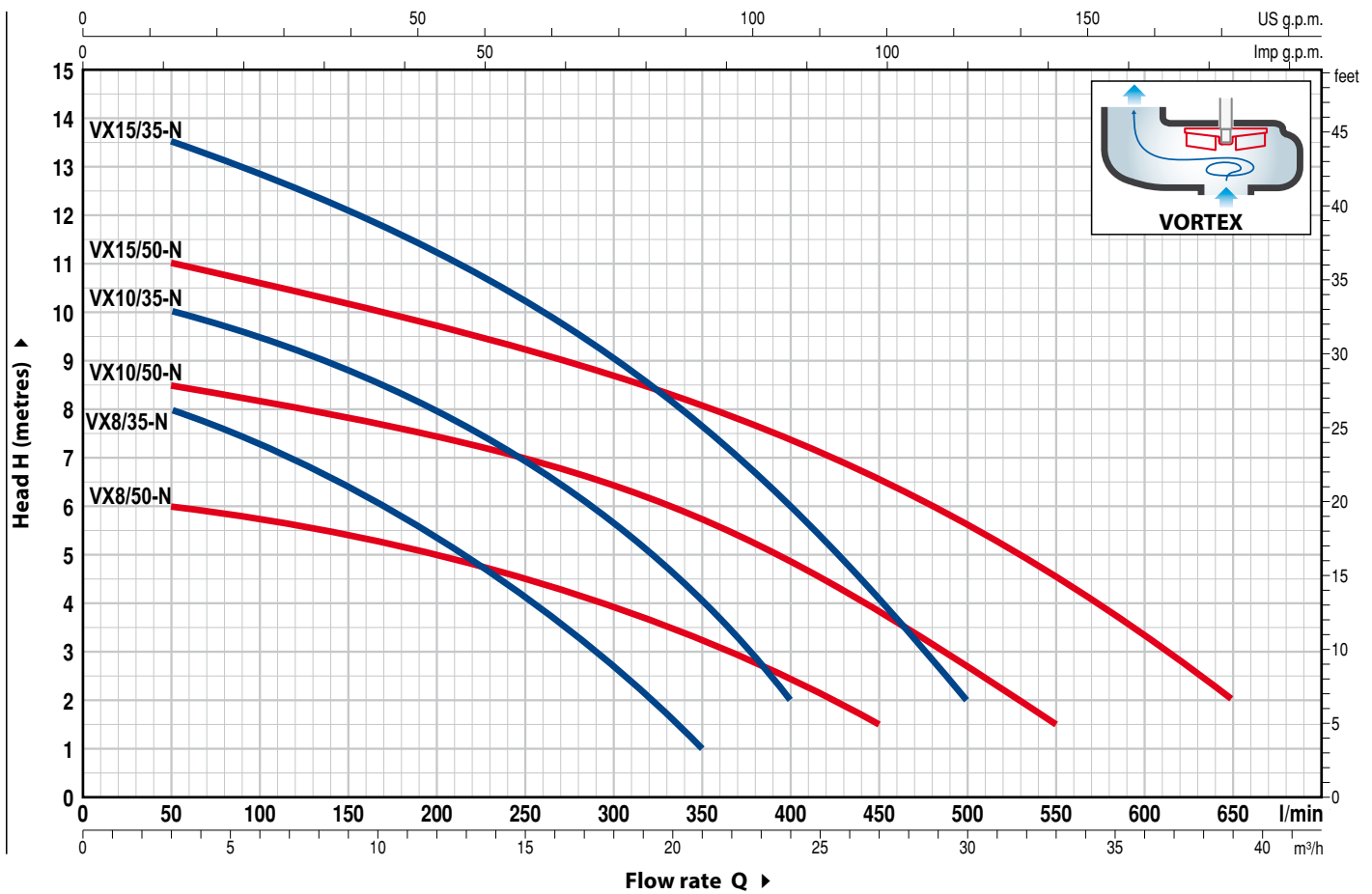
- **5 m** maximum immersion depth
- Maximum liquid temperature **+40 °C**
- Solids passage:
 - up to \varnothing **40 mm** for VX/35-N
 - up to \varnothing **50 mm** for VX/50-N

STANDARD SUPPLY

- Complete with:
 - **5 m** long power cable for VX8-10/35-N, VX8-10/50-N
 - **10 m** long power cable for VX15/35-N, VX15/50-N
- Float switch for single-phase versions

CHARACTERISTIC CURVES AND PERFORMANCE DATA

50 Hz n = 2900 1/min



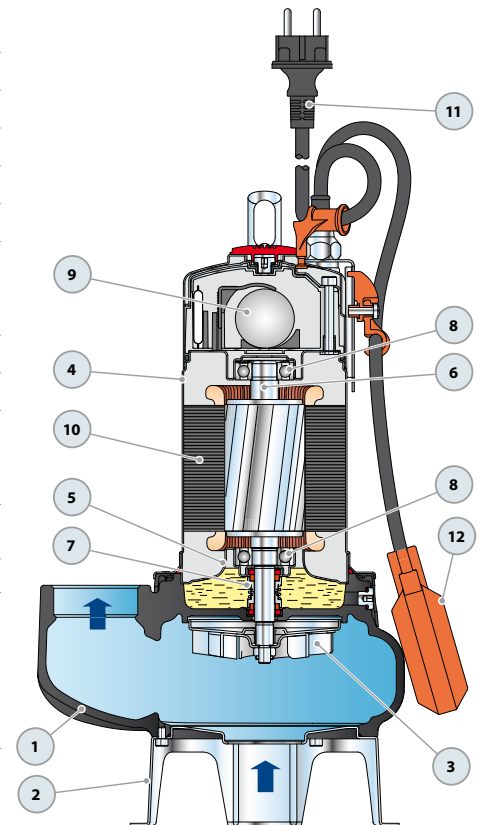
MODEL		POWER		Q	H metres													
Single-phase	Three-phase	kW	HP		m³/h	0	3	6	12	18	21	24	27	30	33	36	39	
				l/min	0	50	100	200	300	350	400	450	500	550	600	650		
VXm 8/35 -N	–	0.55	0.75	H metres	9	8	7.3	5.4	2.7	1								
VXm 10/35 -N	VX 10/35 -N	0.75	1		11	10	9.4	8	5.7	4	2							
VXm 15/35 -N	VX 15/35 -N	1.1	1.5		14	13.5	12.8	11.2	9	7.7	6	4.1	2					
VXm 8/50 -N	–	0.55	0.75		6.5	6	5.8	5	4	3.3	2.5	1.5						
VXm 10/50 -N	VX 10/50 -N	0.75	1		9	8.5	8.2	7.5	6.5	5.8	4.9	3.8	2.6	1.5				
VXm 15/50 -N	VX 15/50 -N	1.1	1.5		11.5	11	10.6	9.8	8.7	8.1	7.4	6.6	5.6	4.5	3.4	2		

Q = Flow rate H = Total manometric head

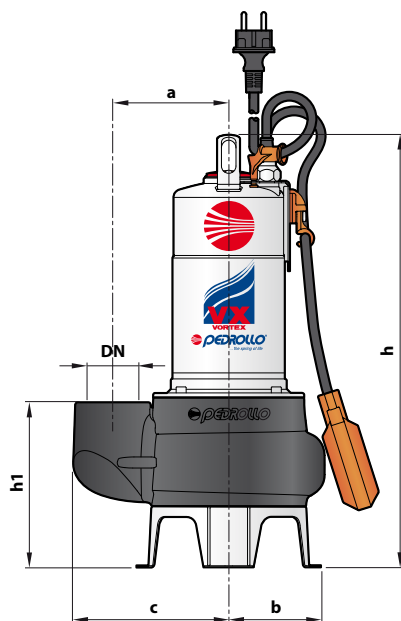
Tolerance of characteristic curves in compliance with EN ISO 9906 Grade 3.

POS. COMPONENT CONSTRUCTION CHARACTERISTICS

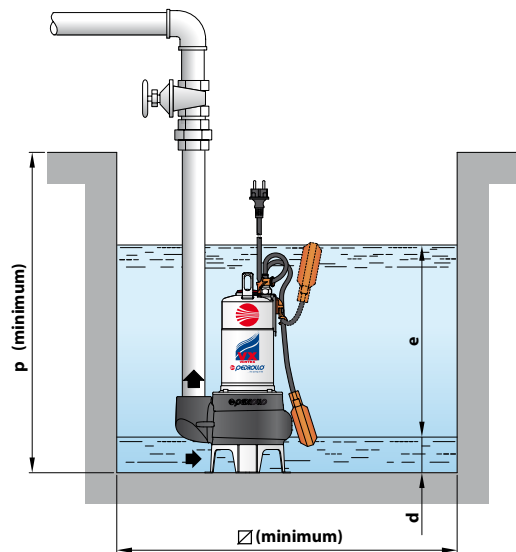
1 PUMP BODY	Cast iron subjected to Epoxy Electrocoating Treatment, with threaded port in compliance with ISO 228/1				
2 BASE	Stainless steel AISI 304				
3 IMPELLER	Stainless steel AISI 304 VORTEX type				
4 MOTOR CASING	Stainless steel AISI 304				
5 MOTOR CASING PLATE	Stainless steel AISI 304				
6 MOTOR SHAFT	Stainless steel EN 10088-3 - 1.4104				
7 SHAFT WITH DOUBLE MECHANICAL SEAL SEPARATED BY AN OIL CHAMBER					
<i>Seal Model</i>	<i>Shaft Diameter</i>	<i>Stationary ring</i>	<i>Materials</i>		<i>Elastomer</i>
MG1-14D SIC	Ø 14 mm	Silicon carbide	Silicon carbide		NBR
8 BEARINGS	6203 ZZ / 6203 ZZ				
9 CAPACITOR					
<i>Pump Single-phase</i>	<i>Capacitance (230 V or 240 V)</i>		<i>(110 V)</i>		
VXm 8/35 -N, VXm 8/50 -N	20 µF 450 VL		30 µF 250 VL		
VXm 10/35-N, VXm 10/50-N	25 µF 450 VL		-		
VXm 15/35-N, VXm 15/50-N	25 µF 450 VL		-		
10 ELECTRIC MOTOR	- Single-phase 230 V - 50 Hz with thermal overload protector built-in to the winding - Three-phase 400 V - 50 Hz - Insulation: F class - Protection: IP X8				
11 POWER CABLE	5 metre long "H07 RN-F" cable (10 metre for VX15/35_50) (with Schuko plug on single-phase versions only)				
12 FLOAT SWITCH	(only for single-phase versions)				



DIMENSIONS



Typical installation



MODEL		PORT	solids passage	DIMENSIONS mm								
Single-phase	Three-phase	DN		a	b	c	h	h1	d	e	p	Ø
VXm 8/35 -N	-	1½"	Ø 40 mm	115	95	148	406	139	50	variable	500	500
VXm 10/35-N	VX 10/35-N						421					
VXm 15/35-N	VX 15/35-N						431					
VXm 8/50 -N	-	2"	Ø 50 mm	115	95	155	431	164	60	variable	500	500
VXm 10/50-N	VX 10/50-N						446					
VXm 15/50-N	VX 15/50-N						446					



Pedrollo S.p.A. – Via Enrico Fermi, 7 – 37047 – San Bonifacio (VR)
tel. +39 045 6136311 – fax +39 045 7614663 – sales@pedrollo.com – www.pedrollo.com